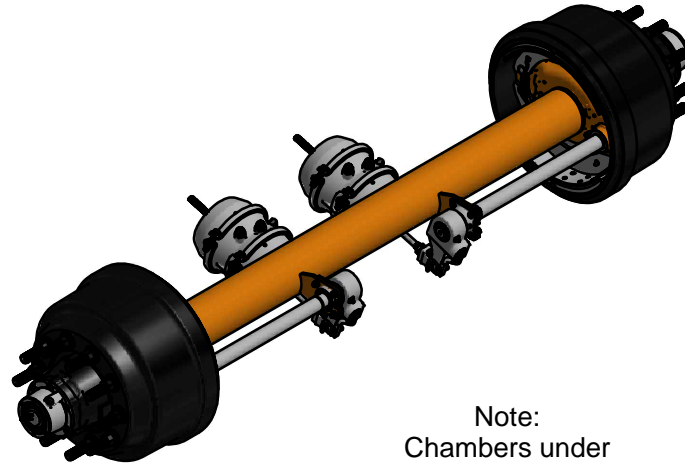



SECTION B-B
SCALE 1/8

C02A is ABS axle with medium sensor wire.
C02N is NonABS axle but with tone ring.



Note:
Chambers under
w/ ports on top

	AXN Axle Model Number	TA 250 T 67 E 775 7xxx	
	Cush Axle Model Number	C02-A	C02-N
Options	ABS Sensor (With-A or Without-N)	With Wabco P/N 441 032 808 0 or 441 032 154 0	Without (but w/same specs)
	Axle Track (71.5", 77.5")	77.5"	All below specs the same
	Wheel Seals (Oil or Grease)	Oil	
	Wheel-end Lube: <small>Chevron RPM Universal 80W/90 Oil Chevron Synthetic 75W/90 Oil Grease-Chevron Synthetic EP2 Grease-Chevron Delo Semi Fluid</small>	Chevron RPM Universal 80W-90 Oil	
	Brake Orientation	90 Deg Rear (Chambers under-ports up)	
Model ID	Cush Model (see Cush Model ID chart)	Cxx	
	Axle Diameter (5", 127mm, 5.75", 146mm-BDA)	5" (127mm)	
	Axle Wall Thickness/Nom Beam Rating (8.5mm_BDA, 10mm_BDA, 12mm_22.5K, 15mm_25K, 19mm_30K)	5/8" (15mm)_25K	
Brake	Camshaft Length (Special/Std, long) or (C114-0301_524813)	Special - long	
	Spindle Type (T-Tapered/N/Q) or P-Paralel)	T-Tapered	
	ASA Manufacturer and Type or P/N	BTC, 5.5" Automatic (P/N ASB10/105)	
	Brake Chamber Type	BTC Type 30/30 (P/N T3030EBS)	20K Brake Rating Combination (BA/VS 122)
	Brake Friction	AXN R20	
	Brake Size & Type	16.5 x 7	
	Camber (Yes or No)	No	
	Cam Enclosures (Yes or No)	No	
	Dust Shields (Yes or No)	No	
	Axle Type (Straight, Drop, Crank)	Straight	
	Spindle Nut Type, No of Cotter Pin Holes	Double Nut, 0	
	ABS Block (yes or no)	Yes	
	Spindle Plug Type	Vented	
	Spindle Plug Depth	Meritor Type	
	Brake Type - Q or Q Plus	Q Plus (470/Q)	
Spider Type	Stamped		
Camshaft Bushing Type	Bi-metal		
Camshaft Splines	28		
Brake Chamber Bracket Style	C-channel		
Axle ID Tag	CUSH or AXN Heavy Duty		
Axle Beam Coating (Color & Type)	Black E-Coat		
Brake Shoe Type (Fuwa Std or Lightweight)	AXN Lightweight		
Brake Shoe Coating (Color & Type)	Black E-Coat		
Axle Interior Clean and Dry (Yes or No)	Yes		
Axle Interior Coated (Yes or No)	No		
Friction Markings per AXN Specification (Yes or No)	Yes		
Top Center Hole (Yes or No)	No		
Integrated Bracket for Haldex ASA (YN)	Yes		
Wheel-ends (type)	10 Hole, 11.25"BC Hub Pilot, Outboard Mount		
Hub Manufacturer & Type	Fuwa pin		
Drum Manufacturer & Type	Fuwa pin		
Bearing Manufacturer - Cup	Wanxiang		
Bearing Manufacturer - Cone	Wanxiang		
Hub Cap Type (oil or grease)	6 Hole, Stemco		
Hub Cap Gasket	Stemco (P/N 330-3009)		
Hub Alert	N/A		
Brake Stroke Indicator	N/A		
Seal Manufacturer	Stemco Guardian (P/N 307-0743)		
Stud Length (wheel type)	Dual Aluminum		
Wheel Nuts	20 Wheel nuts		
ABS Tone Ring (Not including Sensor)	With Tone Ring (see sensor spec)		

DCN#	REV	REVISION DESCRIPTION	DATE	BY	CHK	APP
DRAFTSMAN: DJW	3/4/2014	TITLE: Fully Dressed 25K Axle 16.5" x 7" Brakes 77.5" Track, oil, 5"x5/8w, long cam, tapered spindle, 30/30, 5.5"Autoslacks, rear cam-chambers under-ports top				
CHECKED:						
RELEASED:						
WEIGHT: N/A						
MATERIAL:						
All of the Information shown herein is the intellectual property of Cush Corp and is submitted only on a confidential basis. The recipient agrees that no disclosure of this information will be made to a third party without written consent of Cush Corp.		TOLERANCE UNLESS OTHERWISE STATED: .XX = +/- .062 FRACTIONS = +/- 1/16 .XXX = +/- .031 ANGLES = +/- 1°	 <p>Nixa, MO, USA PHONE: 417-724-1239 www.cushcorp.com</p>			
PROJECT NO:	SHEET: 1 OF 1	SCALE: A-SIZE: NTS B-SIZE: 1/16 D-SIZE: 1/X				