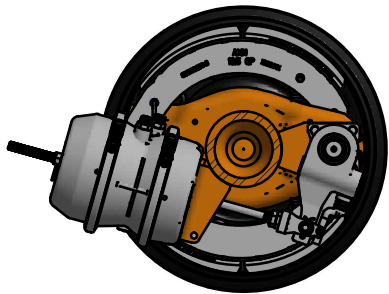
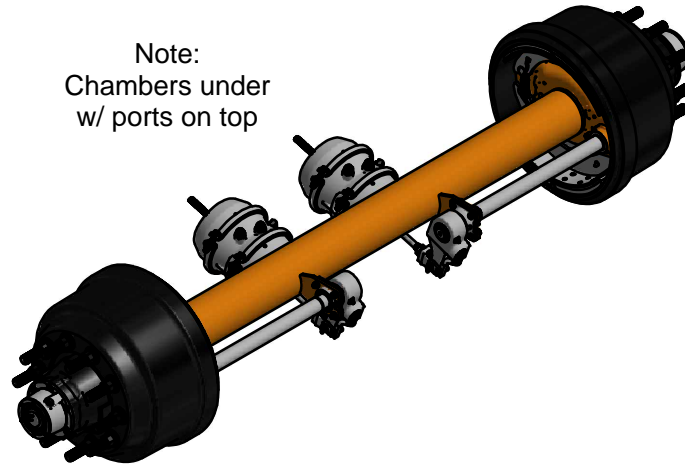



Note:
Chambers under
w/ ports on top



SECTION B-B
SCALE 1/8

H02A is ABS axle with medium sensor wire.
H02N is NonABS axle but with tone ring.

		Cush Axle Model Number	H02-A	H02-N
Options		ABS	ABS	Non-ABS
	ABS Sensor (With-A or Without-N)	With Wabco P/N 441 032 808 0 or 441 032 154 0	Without (but w/same specs)	
	Axle Track (71.5", 77.5")	77.5"	All below specs the same	
	Wheel Seals (Oil or Grease)	Oil		
	Wheel End Lube: Chevron RPM Universal 80W/90 Oil Chevron Synthetic 75W/90 Oil Grease-Chevron Super EP2 Grease-Chevron Daily Grease Pad	Chevron RPM Universal 80W-90 Oil		
	Brake Orientation	90 Deg Rear (Chambers under-ports up)		
Model ID	Cush Model (see Cush Model ID chart)	Hxx		
	Axle Diameter (5" -127mm, 5.75" -146mm-BDA)	5" (127mm)		
	Axle Wall Thickness/Nom Beam Rating (8.5mm_BDA, 10mm_BDA, 12mm_22.5K, 15mm_25K, 19mm_30K)	3/4" (19mm)_30K		
Camshaft Length (Special/Infeed, long) or (C11-0301_524813)	Special - long			
Spindle Type (T-Tapered/N/Q) or P-Parallel)	T-Tapered			
Brake	ASA Manufacturer and Type or P/N	BTC, 5.5" Automatic (P/N ASB107105)		23K Brake Rating Combination FMVSS 121
	Brake Chamber Type	BTC Type 30/30 (P/N T3030EBS)		
	Brake Friction	AXN R23		
	Brake Size & Type	16.5 x 7		
	Camber (Yes or No)	No		
	Cam Enclosures (Yes or No)	No		
	Dust Shields (Yes or No)	No		
	Axle Type (Straight, Drop, Crank)	Straight		
	Spindle Nut Type, No of Cotter Pin Holes	Double Nut, 0		
	ABS Block (yes or no)	Yes		
	Spindle Plug Type	Vented		
	Spindle Plug Depth	Meritor Type		
	Brake Type - Q or Q Plus	Q Plus (4707Q)		
	Spider Type	Stamped		
	Camshaft Bushing Type	Bi-metal		
	Camshaft Splines	28		
	Brake Chamber Bracket Style	C-channel		
	Axle ID Tag	CUSH or AXN Heavy Duty		
	Axle Beam Coating (Color & Type)	Black E-Coat		
	Brake Shoe Type (Fuwa Std or Lightweight)	AXN Lightweight		
	Brake Shoe Coating (Color & Type)	Black E-Coat		
	Axle Interior Clean and Dry (Yes or No)	Yes		
	Axle Interior Coated (Yes or No)	No		
	Friction Markings per AXN Specification (Yes or No)	Yes		
	Top Center Hole (Yes or No)	No		
	Integrated Bracket for Haldex ASA (Y/N)	Yes		
	Wheel-ends (type)	10 Hole, 11.25"BC Hub Pilot, Outboard Mount		
	Hub Manufacturer & Type	Fuwa pin		
	Drum Manufacturer & Type	Fuwa pin		
	Bearing Manufacturer - Cup	Wanxiang		
	Bearing Manufacturer - Cone	Wanxiang		
	Hub Cap Type (oil or grease)	6 Hole, Stemco		
	Hub Cap Gasket	Stemco (P/N 330-3009)		
	Hub Alert	N/A		
	Brake Stroke Indicator	N/A		
	Seal Manufacturer	Stemco Guardian (P/N 307-0743)		
	Stud Length (wheel type)	Dual Aluminum		
	Wheel Nuts	20 Wheel nuts		
	ABS Tone Ring (Not including Sensor)	With Tone Ring (see sensor spec)		

DCN#	REV	REVISION DESCRIPTION	DATE	BY	CHK	APP
DRAFTSMAN: DJW	3/4/2014	TITLE: Fully Dressed HD 25K Axle 16.5" x 7" Brakes 77.5" Track, oil, 5"x 3/4" wall, long cams, tapered spindle, 30/30, 5.5" Autoslacks, rear cam-chambers under-ports top				
CHECKED:						
RELEASED:						
WEIGHT: N/A						
MATERIAL:						
All of the Information shown herein is the intellectual property of Cush Corp and is submitted only on a confidential basis. The recipient agrees that no disclosure of this information will be made to a third party without written consent of Cush Corp.		TOLERANCE UNLESS OTHERWISE STATED: .XX = +/- .062 FRACTIONS = +/- 1/16 .XXX = +/- .031 ANGLES = +/- 1°	 <p>Nixa, MO, USA PHONE: 417-724-1239 www.cushcorp.com</p>			
PROJECT NO: 14090	SHEET: 1 OF 1	SCALE: A-SIZE: NTS B-SIZE: 1/16 D-SIZE: 1/X				