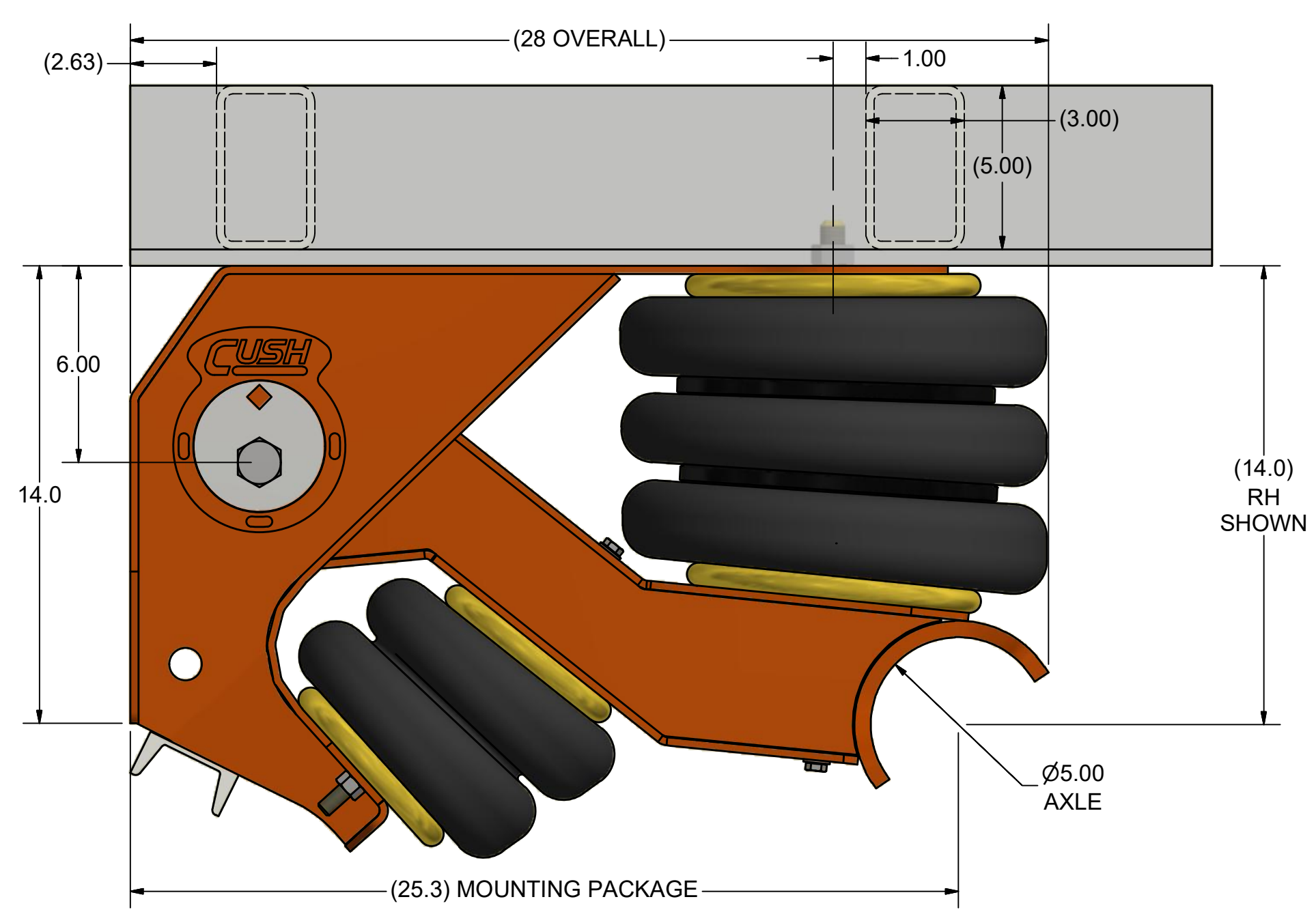
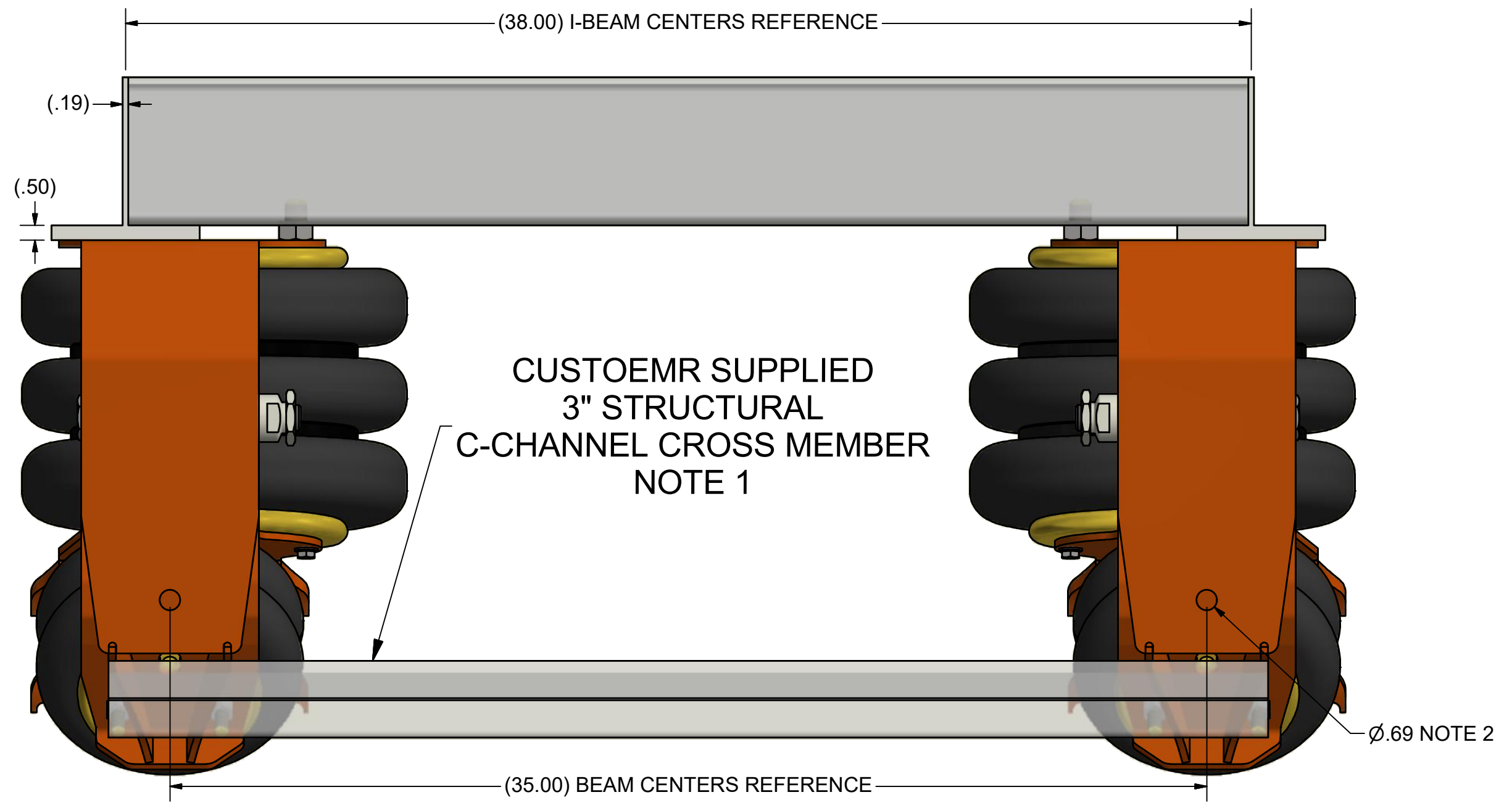


**NOTES:**  
 1. A CROSS BRACE BETWEEN SUSPENSION HANGERS IS NOT REQUIRED IF THE FRAME CROSSMEMBERS ARE LOCATED ABOVE THE AIR SPRING MOUNTING PLATES AND THE HANGERS  
 2. CUSTOMER SUPPLIED X-MEMBER TO BE WELDED OR BOLTED ONTO SUSPENSION HANGERS.



<<FORWARD>>

DCN#	REV	REVISION DESCRIPTION	DATE	BY	CHK	APP
DRAFTSMAN: DWalk	07/2017	TITLE:				
CHECKED: CHK		CUSH AUXILLARY ROUND AXLE				
RELEASED: APP		13K SUSP WEIGHT RATING				
WEIGHT: N/A		13-17\"/>				
MATERIAL:						
All of the Information shown herein is the intellectual property of Cush Corp and is submitted only on a confidential basis. The recipient agrees that no disclosure of this information will be made to a third party without written consent of Cush Corp.		TOLERANCE UNLESS OTHERWISE STATED: XX = +/- .002 FRACTIONS = +/- 1/16 XXX = +/- .001 ANGLES = +/- 1°		PROJECT NO:		DRAWING(PART) NO:
	1	A-SIZE: NTS				
	OF	B-SIZE: 1/X				
	4	D-SIZE: 1/4				
			17046			CX245RT-A



Nixa, MO, USA  
 PHONE: 417-724-1239  
 www.cushcorp.com