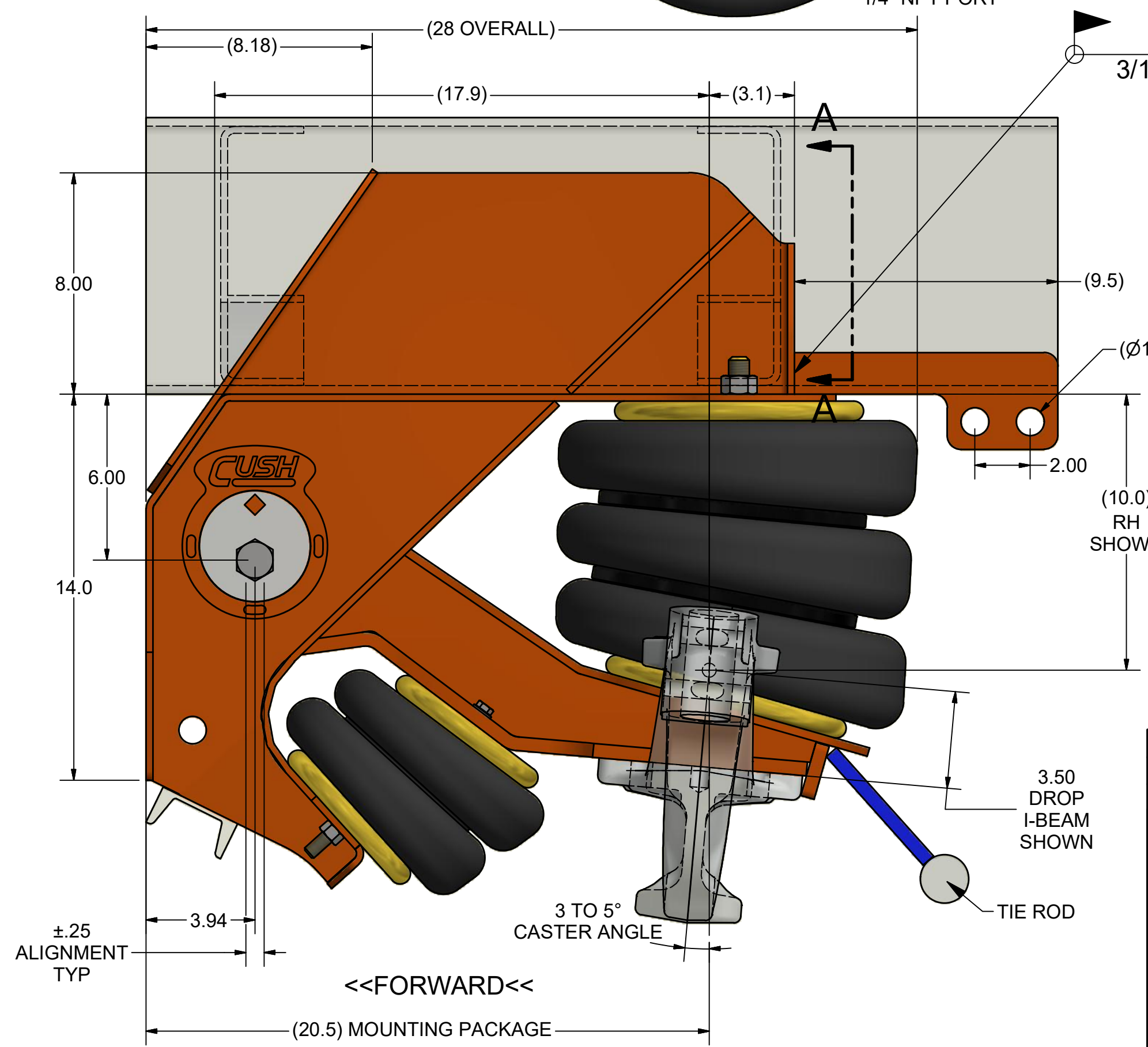
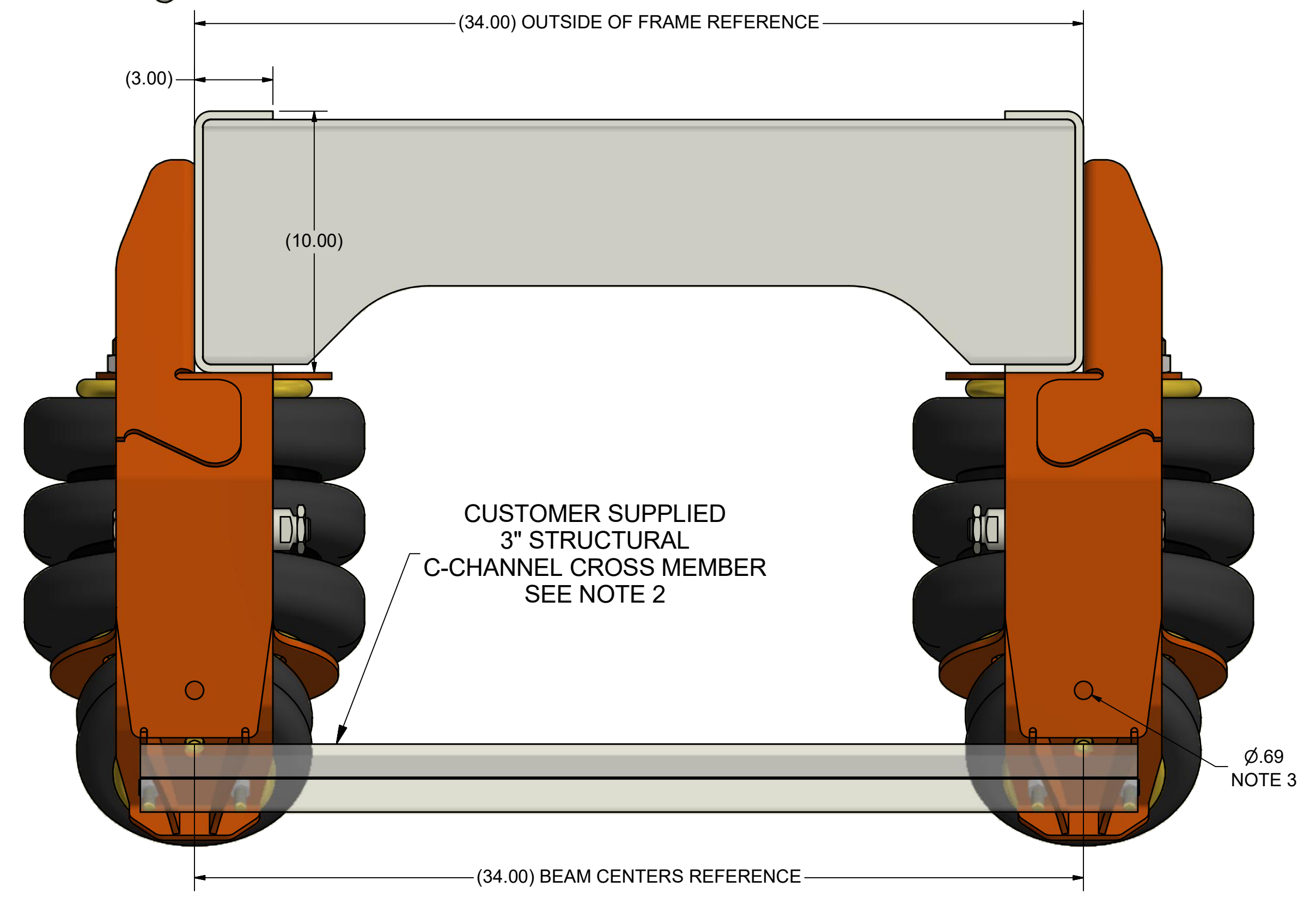
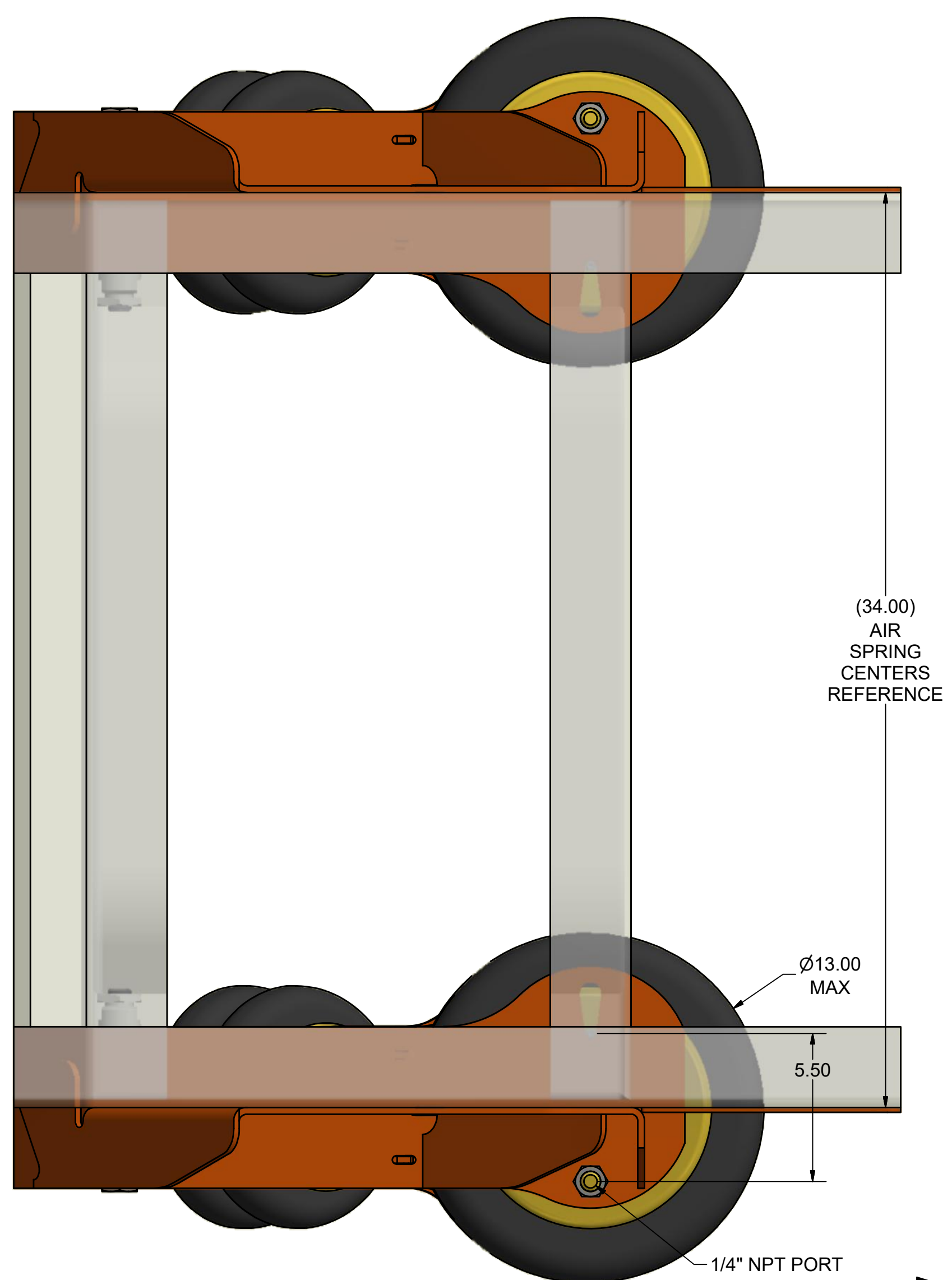
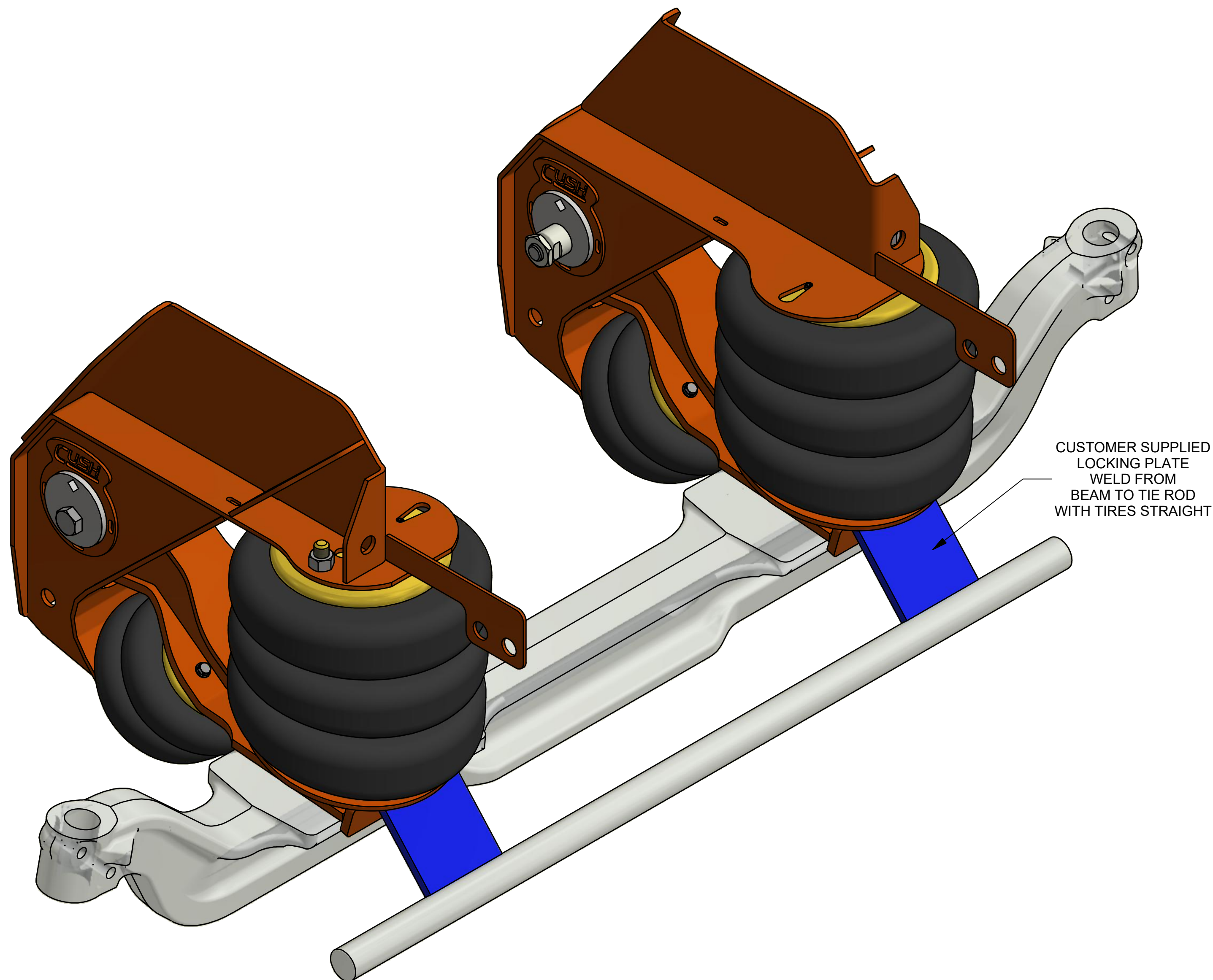


- NOTES:**
1. THIS SUSPENSION IS FOR LOCKED STEERING AXLE ONLY. IF THE STEERING AXLE IS USED, IT IS THE RESPONSIBILITY OF THE CUSTOMER TO ACCOUNT FOR 3 TO 5 DEGREE CASTER ANGLE AT THE AXLE DOWN RIDE HEIGHT AND THAT A STEERING DAMPNER KIT IS USED.
 2. A CROSS BRACE BETWEEN SUSPENSION HANGERS IS NOT REQUIRED IF THE FRAME CROSSMEMBERS ARE LOCATED ABOVE THE AIR SPRING MOUNTING PLATES AND THE HANGERS
 3. CUSTOMER SUPPLIED X-MEMBER TO BE WELDED OR BOLTED ONTO SUSPENSION HANGERS.



DCN#	REV	REVISION DESCRIPTION	DATE	BY	CHK	APP			
DRAFTSMAN: DWalk	07/2017	TITLE:							
CHECKED: CHK		CUSH AUXILLARY I-BEAM AXLE							
RELEASED: APP		13K SUSP WEIGHT RATING							
WEIGHT: N/A		9-11" RIDE HEIGHT							
MATERIAL:		BOLT-ON RAIL HANGER							
All of the Information shown herein is the intellectual property of Cush Corp and is submitted only on a confidential basis. The recipient agrees that no disclosure of this information will be made to a third party without written consent of Cush Corp.		TOLERANCE UNLESS OTHERWISE STATED: XX = +/- .002 FRACTIONS = +/- .1116 XXX = +/- .031 ANGLES = +/- .1°		PROJECT NO:			SHEET:		
17046		1 OF 7		SCALE: A-SIZE: NTS B-SIZE: 1/2 D-SIZE: 1/4		REV: -		DRAWING(PART) NO: CX245i-A	



Nixa, MO, USA
PHONE: 417-724-1239
www.cushcorp.com