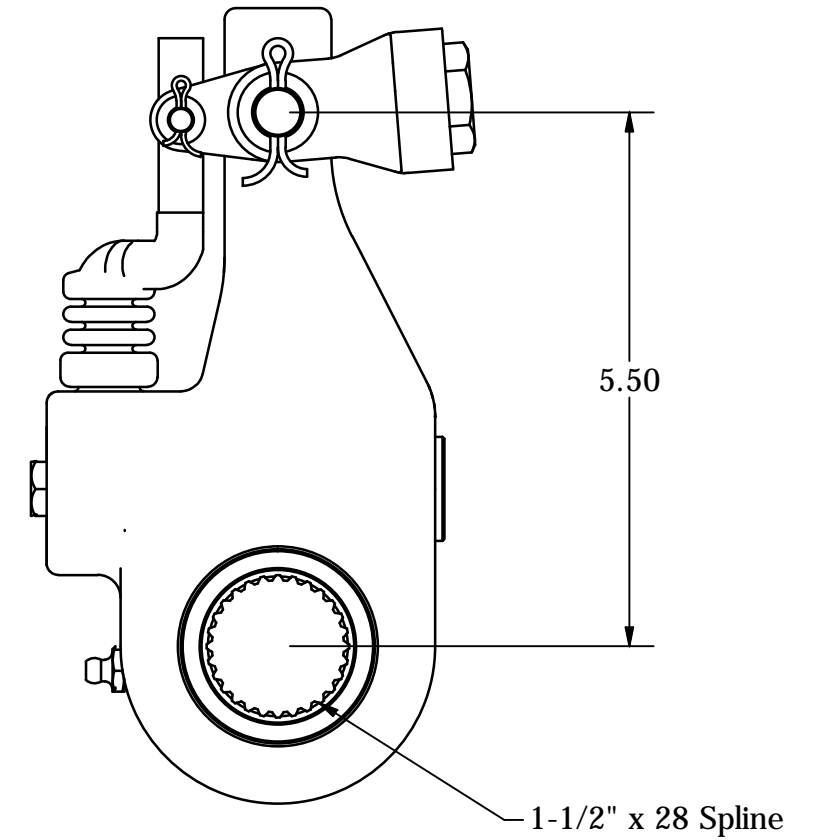
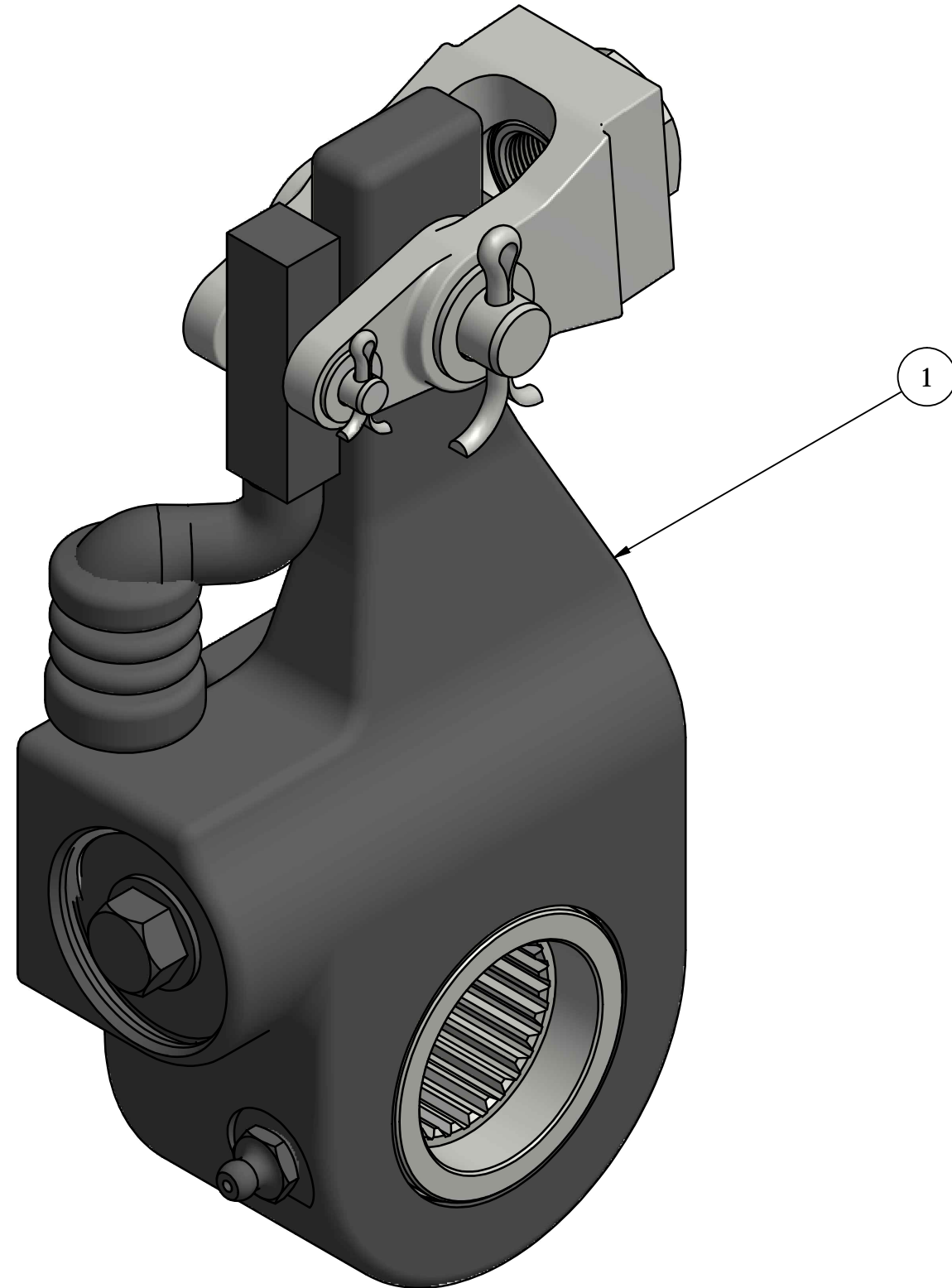
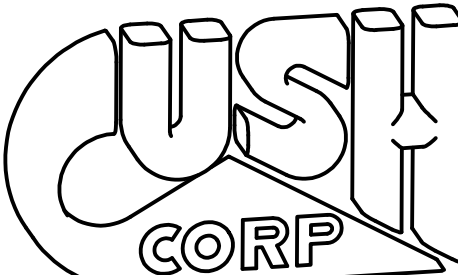


PARTS LIST							
ITEM	DESCRIPTION	CAM DIA. & SPLINE	ARM LENGTH	Cush P/N	FUWA P/N	Euclid P/N	QTY
1	AUTOMATIC SLACK ADJUSTER	1 1/2" - 28	5 1/2"	X0014	ASB107105	VE-11404	1



DCN#	REV	REVISION DESCRIPTION	DATE	BY	CHK	APP
DRAFTSMAN: DJW	9/5/2014	AUTOMATIC SLACK ADJUSTER 5-1/2" x 28 Spline	 Nixa, MO, USA PHONE: 417-724-1239 www.cushcorp.com			
CHECKED: CHK						
RELEASED: APP						
WEIGHT: N/A						
MATERIAL:		TOLERANCE UNLESS OTHERWISE STATED: .XX = +/- .062 FRACTIONS = +/- 1/16 .XXX = +/- .031 ANGLES = +/- 1°				
All of the Information shown herein is the intellectual property of Cush Corp and is submitted only on a confidential basis. The recipient agrees that no disclosure of this information will be made to a third party without written consent of Cush Corp.		PROJECT NO: 14090	SHEET: 1 OF 1	SCALE: A-SIZE: NTS B-SIZE: 1/1 D-SIZE: 1/X	REV: -	PART/DRAWING NO: X0014