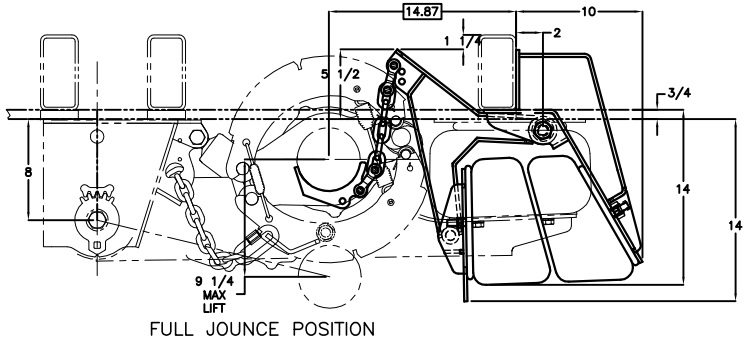
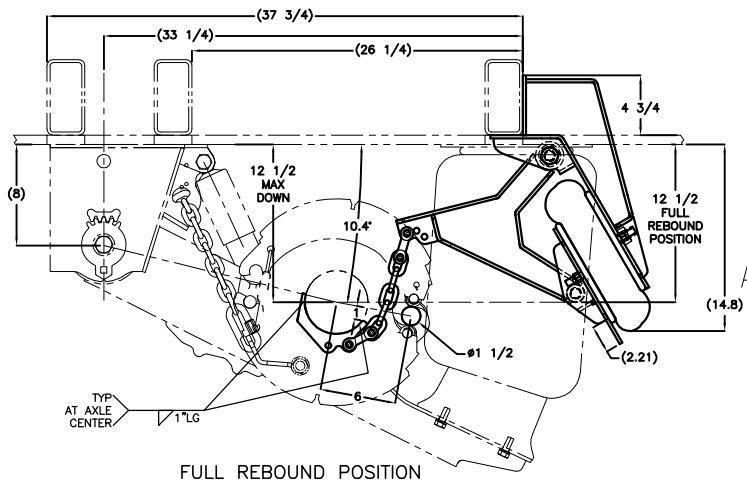


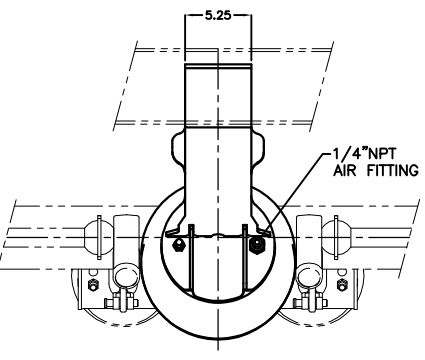
Parts Explosion  
See Sheet 2



FULL JOUNCE POSITION



FULL REBOUND POSITION



General Fastener Torque Specs	Size	Thread	Grade	Min.	Max.	Part	Spec
1/4\"/>							

**INSTALLATION DISCLAIMER NOTES:**

- It is important that the proper Cush suspension is chosen for the trailer application. The following criteria must be considered when selecting a suspension: required suspension capacity, loaded frame-to-ground measurement, ride height, axle travel, axle spacing, and axle GAWR.
- It is the responsibility of the installer to determine the correct location of the suspension in order to provide the proper trailer load distribution. The gross axle weight rating (GAWR) of each axle must not exceed the rated capacity of any of the components involved. The suspension capacity ratings are for suspension components and axle beam only.
- Required cross member locations are shown. Actual size and shape may vary per trailer design. It is the responsibility of the suspension installer to ensure structural adequacy of the trailer frame and related cross members. Verify that the actual trailer cross member locations correspond with those specified on the suspension drawing.
- It is the responsibility of the suspension installer to read the instructions on all the drawing sheets thoroughly before proceeding with a suspension installation.

DRAWING: CAS 8/6/02  
 CHECKED: [Signature]  
 RELEASED: [Signature]  
 APPROX. WEIGHT: 75 lbs  
 MATERIAL: SEE PART DWGS.  
 All of the information shown herein is the intellectual property of Cush Corp and is submitted only on a confidential basis. The recipient agrees that no disclosure of this information will be made to a third party without written consent of

APPLICATION INSTALLATION SHEET  
**Cush Axle Lift**  
**Model CAL-01**  
 Rear Crossmember Center Mount

TOLERANCE UNLESS OTHERWISE SPECIFIED	JK	12-22-03	€
± .005	JK	09-14-03	0
± .010	JK	06-22-03	C

PROJECT NO: 00004  
 SHEET 1 OF 2  
 SCALE: A-SIZE B-SIZE D-SIZE 1:5

