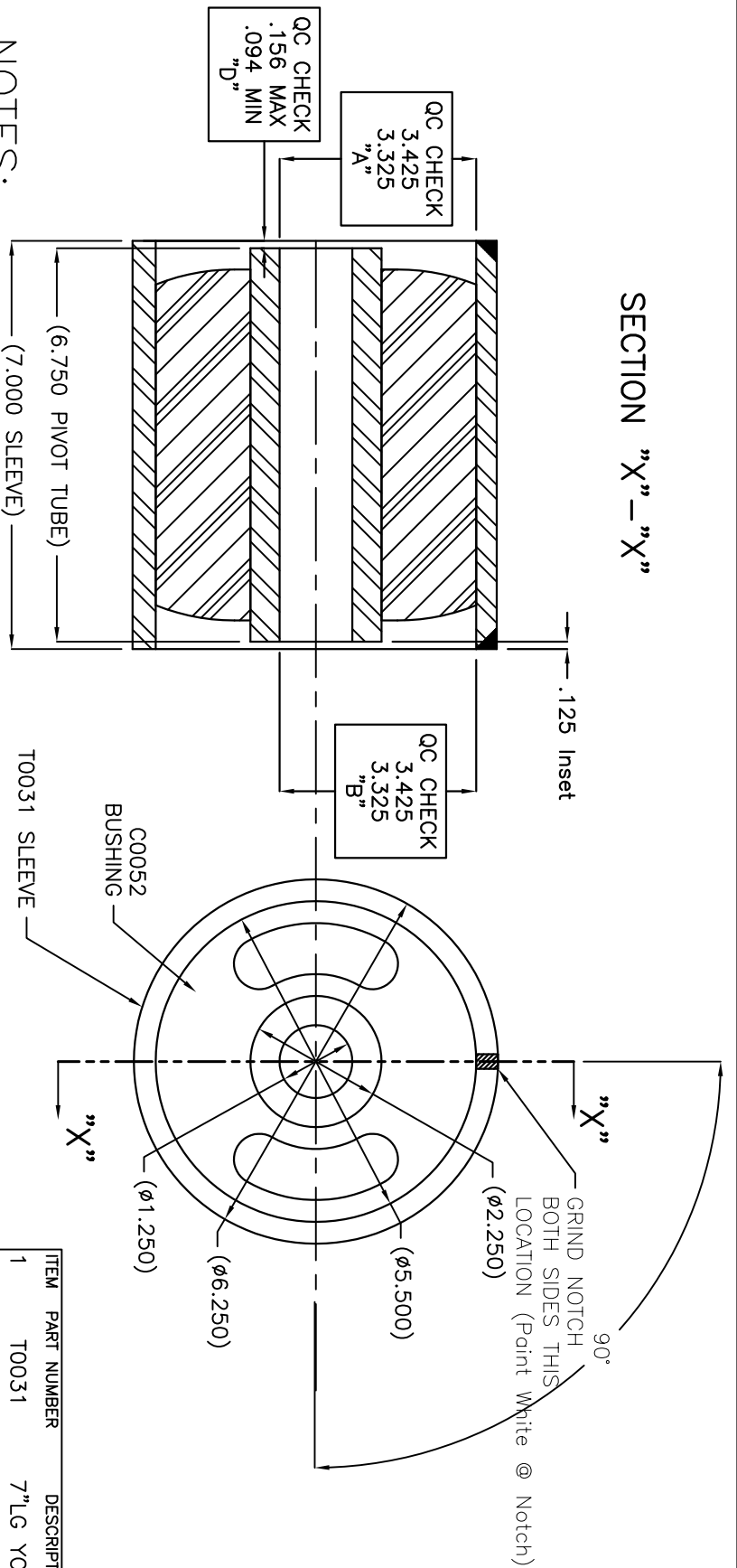
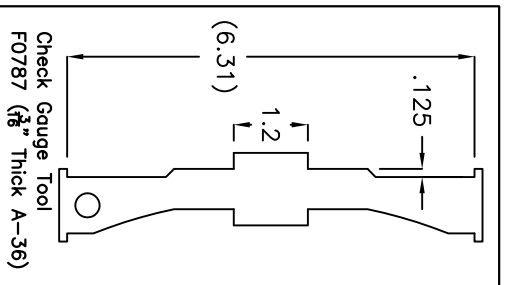


SECTION "X" - "X"



ITEM	PART NUMBER	DESCRIPTION	QTY
1	T0031	7" LG YOKE SLEEVE	1
2	C0052	BUSHING 6.75" LG	1



NOTES:

- Bushing Tube ID to be Smooth for Bushing Insertion
- ORIENT BUSHING AS SHOWN IN ASSEMBLY VIEW (THIS DRAWING). Voids to be Vertical in Trailer Frame.
 - APPLY LIGHT COAT OF BUSHING LUBE (P-90) TO INSIDE OF BUSHING EYE TO PREVENT GALLING.
 - PRESS BUSHING INTO EYE UNTIL BUSHING PIVOT TUBE IS CENTERED AS SHOWN IN TYPICAL PLAN VIEW (THIS DRAWING).
- RUBBER TO BE UNIFORM SHAPE BOTH SIDES OF BUSH.
- BUSH RUBBER VOIDS ARE TO BE UNIFORM AND NOT COLLAPSED.
- Check Depth both side with Tool (F0787) to be centered +/-0.06"

EC NO.	REVISION		
DRAWN: EAS	1/16/02	TITLE:	BUSHING EYE W/ BUSHING (YOKE BEAM) W/FRONT INDICATOR NOTCH PAINT BLACK BEFORE BUSH
CHECKED:			
RELEASED:			
WEIGHT: 19.1 LB.			
MATERIAL: SEE PART DRAWINGS			
All of the information shown herein is the intellectual property of Cush Corp and is submitted only on a confidential basis. The recipient agrees that no disclosure of this information will be made to a third party without written consent of Cush Corp.		<p>PROJECT NO: 02001</p> <p>SHEET: 1 OF 1</p> <p>SCALE: A-SIZE : NTS B-SIZE : FULL D-SIZE :</p> <p>REV: B</p> <p>PART/DRAWING NO: AT0031</p> <p>www.cushcorp.com</p>	

