

Model Options	Axle Spacing	Model	15K Suspension Brackets w/Variable Axle Mounting Kits	Reference Dexter No.
CAP-206-02-NU	42.25"	NU	No U-Bolt Kit Included With Suspension	
	Uses Items: 24 & 25			
CAP-206-03-NU	48.50"	NU	No U-Bolt Kit Included With Suspension	
	Uses Items: 5 & 6			
CAP-206-02-10K	42.25"	10K	5/8" U-Bolt Kit Included With Suspension (10K)	
	Uses Items: 24 & 25	Item Qty	Kit For Tandem Unit	
		18 HU601 8	U-BOLT 5/8"-11 unc x 9" Lg Grd 8, 5" Round	# 091148
		19 B0528 4	U-bolt bottom plate 10k- 3" Spring Standard	# 12-53
		20 H1601 16	Toplock LockNut 5/8"-11 unc grade C	# 6-38
CAP-206-03-10K	48.50"	10K	5/8" U-Bolt Kit Included With Suspension (10K)	
	Uses Items: 5 & 6	Item Qty	Kit For Tandem Unit	
		18 HU601 8	U-BOLT 5/8"-11 unc x 9" Lg Grd 8, 5" Round	# 091148
		19 B0528 4	U-bolt bottom plate 10k- 3" Spring Standard	# 12-53
		20 H1601 16	Toplock LockNut 5/8"-11 unc grade C	# 6-38
CAP-206-02-15K	42.25"	12K-15K	3/4" U-Bolt Kit Included With Suspension (12K-15K)	
	Uses Items: 24 & 25	Item Qty	Kit For Tandem Unit	
		21 HU201 8	U-BOLT 3/4"-10 unc x 9" Lg Grd 8, 5" Round	# 11-70
		22 B0716 4	U-bolt bottom plate 12k/15k- 3" Spring Standard	# 12-46
		23 H1201 16	Toplock LockNut 3/4"-10 unc grade C	# 6-113
CAP-206-03-15K	48.50"	12K-15K	3/4" U-Bolt Kit Included With Suspension (12K-15K)	
	Uses Items: 5 & 6	Item Qty	Kit For Tandem Unit	
		21 HU201 8	U-BOLT 3/4"-10 unc x 9" Lg Grd 8, 5" Round	# 11-70
		22 B0716 4	U-bolt bottom plate 12k/15k- 3" Spring Standard	# 12-46
		23 H1201 16	Toplock LockNut 3/4"-10 unc grade C	# 6-113

Item	Cush Number	Qty	Number Description	Reference Dexter No.
1	W0315-1	1	Front Hanger L.H. Road Side, Adj. 6" Ride Height	
2	W0315-2	1	Front Hanger R. H. Curb Side, Fixed 6" Ride Height	# 28-67-4
4	W0260	2	Rear Hanger, Universal 6" Ride Height	# 30-66-1
<b>K0090-1 CENTER HANGER &amp; EQUALIZER ASSEMBLY (SHORT EQUALIZER 42.25")</b>				
3	W0259	2	Equalizer Center Hanger Universal, 6" Ride Height	# 29-43-2
24	W0337-1	1	Equalizer L.H. Road Side, Adj 42.25" TANDEM, Slipper W/BUSHING	
25	W0337-2	1	Equalizer R.H. Curb Side, Fixed 42.25" TANDEM, Slipper W/BUSHING	# 13-108-3
7a	C0146	1	Equalizer Bushing, Rubber/Steel 3.8"LG x 2.12"OD x 1.12"ID	
7b	T0061	2	Eql bush inserts, 1.125"od x 7/8"id x 3.5"lg (eql bush insert)	
13	H0123	2	HHCS 7/8"-14unf x 6"lg grade 8 (equalizer hanger)	
14	H1101	2	Securax Wheel Nut 7/8"-14unf (equalizer hanger)	
<b>K0090-2 CENTER HANGER &amp; EQUALIZER ASSEMBLY (LONG EQUALIZER 48.50")</b>				
3	W0259	2	Equalizer Center Hanger Universal, 6" Ride Height	
5	W0316-1	1	Equalizer L.H. Road Side, Adj. 48.50" TANDEM, Slipper W/BUSHING	
6	W0316-2	1	Equalizer R.H. Curb Side, Fixed 48.50" TANDEM, Slipper W/BUSHING	# 13-109-3
7a	C0146	1	Equalizer Bushing, Rubber/Steel 3.8"LG x 2.12"OD x 1.12"ID	
7b	T0061	2	Eql bush inserts, 1.125"od x 7/8"id x 3.5"lg (eql bush insert)	
13	H0123	2	HHCS 7/8"-14unf x 6"lg grade 8 (equalizer hanger)	
14	H1101	2	Securax Wheel Nut 7/8"-14unf (equalizer hanger)	
<b>K0088 Qty HARDWARE KIT - 206</b>				
8	T0062	4	Sleeve insert 1"odx0.75"id x 2.8"lg (spring eye insert)	
9	H0305	4	HHCS 1/2"-unc x 4"lg grade 5, keeper bolt (equalizer ends)	# 7-95
10	H1302	4	Lock Nut 1/2"-unc grade B, retainer nut (equalizer ends)	# 12N
11	H0206	4	HHCS 3/4"-unc x 5"lg grade 8 (Front Hanger & Equalizer Rear)	
12	H1201	4	Lock Nut 3/4"-10unc grade C (spring pivot)	
15	T0070	4	Tube 1/2"id x 3.1"long (Keeper Sleeve)	
16	AW0304	2	Slip Joint Yoke Assembly, Front Hanger & Equalizer, L.H. Road Side (only)	

**\* Note: Leaf Springs are not included in the Cush Suspension Kits Shown.**

Cush No.	Dexter No.	Leaves	Capacity
CP7243-1	P72-43-1	3	5,000 lbs.
CP7244-1	P72-44-1	3	6,000 lbs.
CP7245-1	P72-45-1	3	7,500 lbs.

Note: 2 Springs Required per Axle Set

**GOULD**  
www.gouldcorp.com

**CAP-206-CHART**

DATE: 12/12/05  
DRAWN BY: JMK  
CHECKED: JMK  
RELEASED: JMK

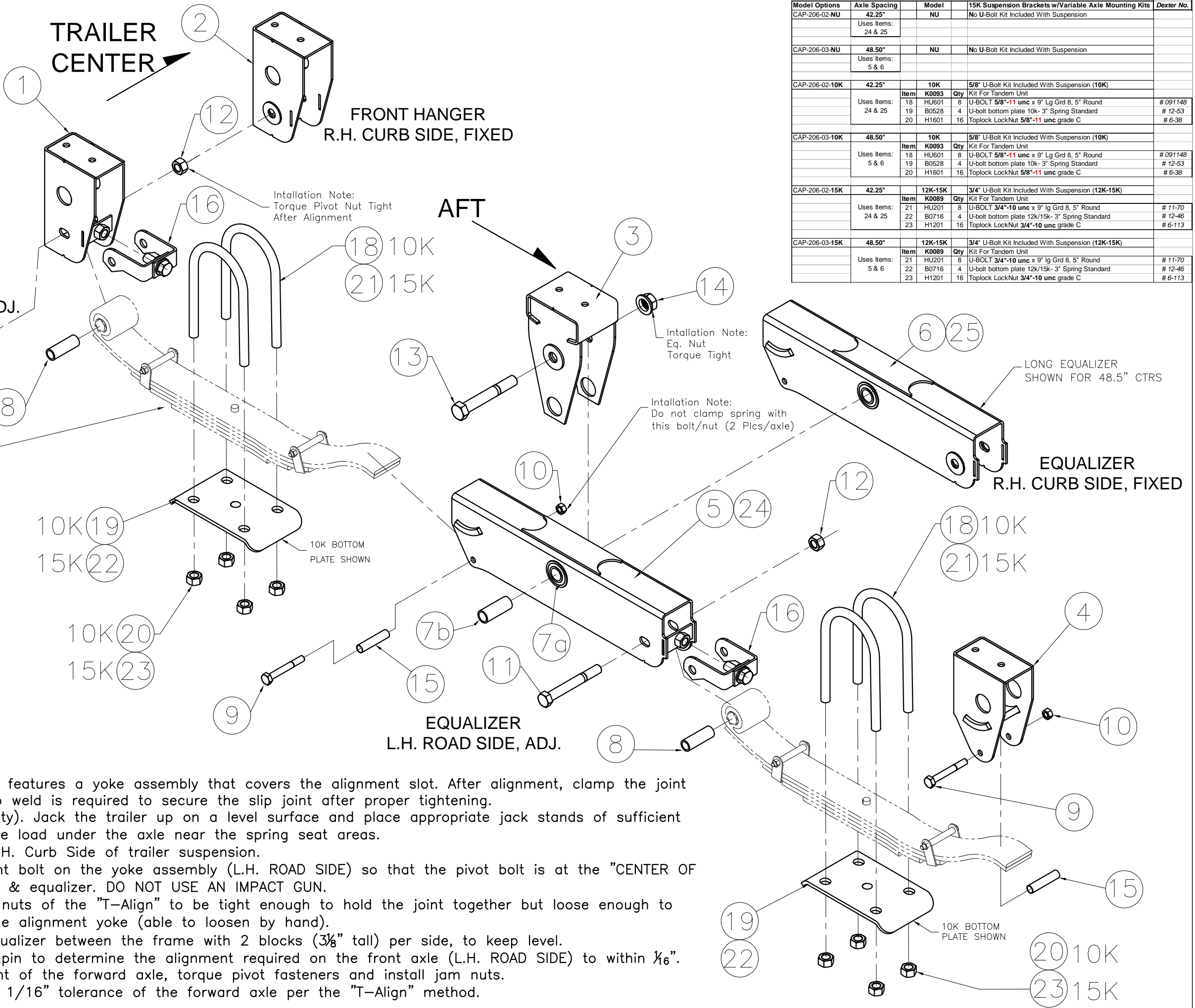
APPROVAL: SEE PART DMS

ALL INFORMATION IS THE PROPERTY OF GOULD CORPORATION AND IS SUBMITTED ONLY ON A CONFIDENTIAL BASIS. THE RECIPIENT AGREES THAT NO DISCLOSURE OF THIS INFORMATION WILL BE MADE TO A THIRD PARTY WITHOUT WRITTEN CONSENT OF GOULD CORPORATION. THIS DESIGN IS PROTECTED BY GOULD PATENTS OR PATENTS PENDING.

TO EXAMINE: SEE PART DMS  
OTHERWISE STATED: 1/16"  
SCALE: 1:1  
SHEET: 2 OF 2  
A-SIZE: 11.5" x 17"  
B-SIZE: 17" x 22"  
D-SIZE: 22" x 34"

APPLICATION INSTALLATION SHEET  
Cush Application Pindele Tandem Spring Susp  
15,000# / Axle Suspension Weight Rating  
6" Loden Ride Height Model

REV: 08156 BKH 02/17/09 L  
08156 BKH 02/16/09 K  
08156 BKH 09/15/08 J



**INSTALLATION OF "T-ALIGN":**

- Overview; The "T-Align" pivot joint features a yoke assembly that covers the alignment slot. After alignment, clamp the joint per Cush torque specifications. No weld is required to secure the slip joint after proper tightening.
- 1) Remove load from trailer (empty). Jack the trailer up on a level surface and place appropriate jack stands of sufficient strength/capacity to support the load under the axle near the spring seat areas.
  - 2) Tighten all fasteners on the R.H. Curb Side of trailer suspension.
  - 3) With ratchet, turn the alignment bolt on the yoke assembly (L.H. ROAD SIDE) so that the pivot bolt is at the "CENTER OF THE SLOT" on the front hanger & equalizer. DO NOT USE AN IMPACT GUN.
  - 4) Hand tighten (snug) the pivot nuts of the "T-Align" to be tight enough to hold the joint together but loose enough to permit forward movement of the alignment yoke (able to loosen by hand).
  - 5) Block the top side of each equalizer between the frame with 2 blocks (3/8" tall) per side, to keep level.
  - 6) Measure from the trailer's kingpin to determine the alignment required on the front axle (L.H. ROAD SIDE) to within 1/16".
  - 7) After achieving proper alignment of the forward axle, torque pivot fasteners and install jam nuts.
  - 8) Align additional axles to within 1/16" tolerance of the forward axle per the "T-Align" method.