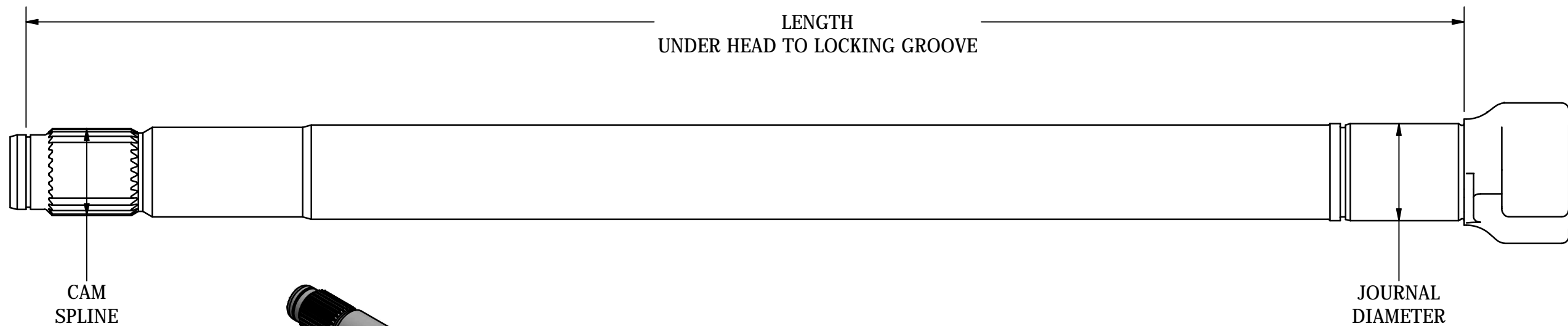
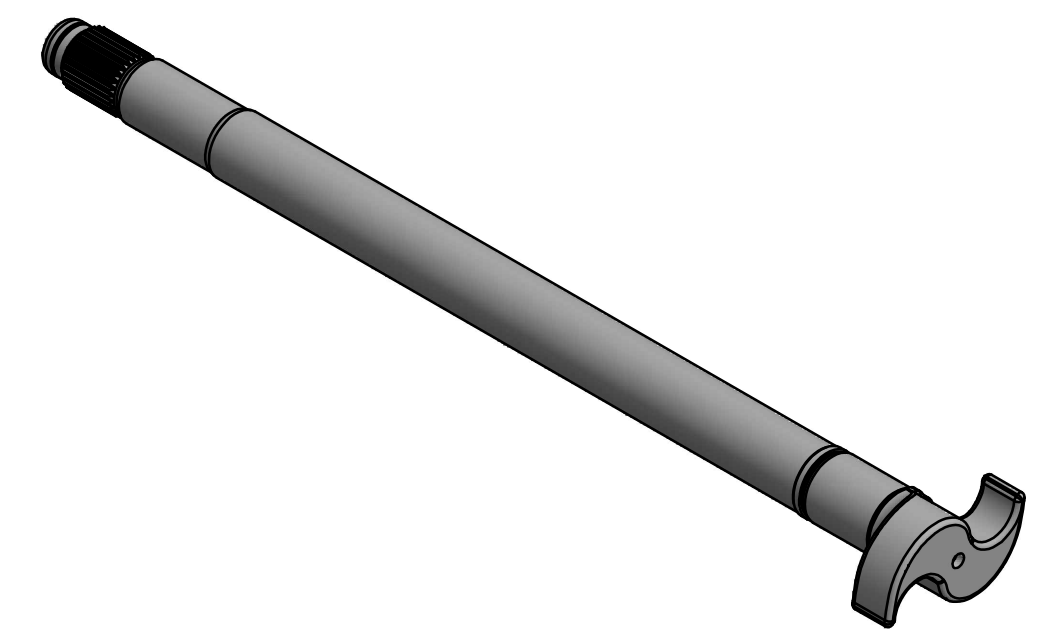
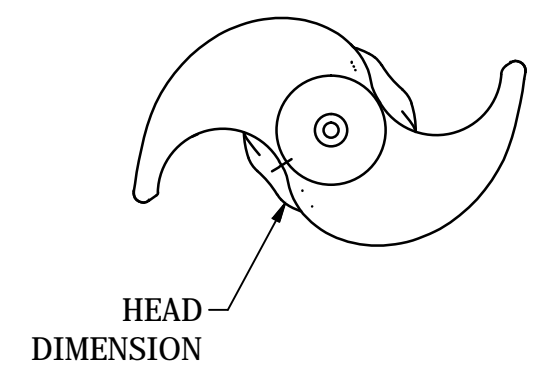


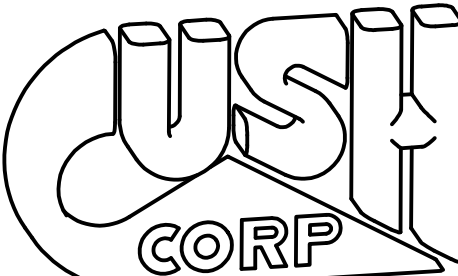
**CAM SPECS**

SIZE	L or R	Length (IN)	Length (mm)	JOURNAL	Head Dia	SPLINE	Brake Size	Cush P/N	FUWA P/N	Euclid P/N
MED	L	20.6	524	1 5/8"	1 1/8"	1 1/2" - 28	16 1/2 x 7"	X0015-20.6L	C11-0301-524-L	E-9733
MED	R	20.6	524	1 5/8"	1 1/8"	1 1/2" - 28	16 1/2 x 7"	X0015-20.6R	C11-0301-524-R	E-9734
LONG	L	24.125	613	1 5/8"	1 1/8"	1 1/2" - 28	16 1/2 x 7"	X0015-24.13L	C11-0301-613-L	E-10909
LONG	R	24.125	613	1 5/8"	1 1/8"	1 1/2" - 28	16 1/2 x 7"	X0015-24.13R	C11-0301-613-R	E-10910
LONG	L	26.6	676	1 5/8"	1 1/8"	1 1/2" - 28	16 1/2 x 7"	X0015-26.6L	C11-0301-676-L	
LONG	R	26.6	676	1 5/8"	1 1/8"	1 1/2" - 28	16 1/2 x 7"	X0015-26.6R	C11-0301-676-R	
LONG	L	20.75	527	1 5/8"	1 1/8"	1 1/2" - 28	12 1/4 x 7 1/2"	X0015-20.8L	C11-0401-527-L	E-9753
LONG	R	20.75	527	1 5/8"	1 1/8"	1 1/2" - 28	12 1/4 x 7 1/2"	X0015-20.8R	C11-0401-527-R	E-9754
LONG	L	23.4	595	1 5/8"	1 1/8"	1 1/2" - 28	12 1/4 x 7 1/2"	X0015-23.4L	C11-0401-595-L	E-9759
LONG	R	23.4	595	1 5/8"	1 1/8"	1 1/2" - 28	12 1/4 x 7 1/2"	X0015-23.4R	C11-0401-595-R	E-9760



THIS IS A LEFT HAND CAM



DCN#	REV	REVISION DESCRIPTION	DATE	BY	CHK	APP
DRAFTSMAN: DJW	9/5/2014	TITLE:  <b>BRAKE CAM</b>				
CHECKED: CHK						
RELEASED: APP						
WEIGHT: N/A						
MATERIAL:						
All of the Information shown herein is the intellectual property of Cush Corp and is submitted only on a confidential basis. The recipient agrees that no disclosure of this information will be made to a third party without written consent of Cush Corp.		TOLERANCE UNLESS OTHERWISE STATED: .XX = +/- .062      FRACTIONS = +/- 1/16 .XXX = +/- .031      ANGLES = +/- 1°	 <p>Nixa, MO, USA PHONE: 417-724-1239 www.cushcorp.com</p>			
PROJECT NO:	SHEET:	SCALE:	REV:	PART/DRAWING NO:		
14090	1 OF 1	A-SIZE: NTS B-SIZE: 1/2 D-SIZE: 1/X	-	<b>X0015-Chart</b>		